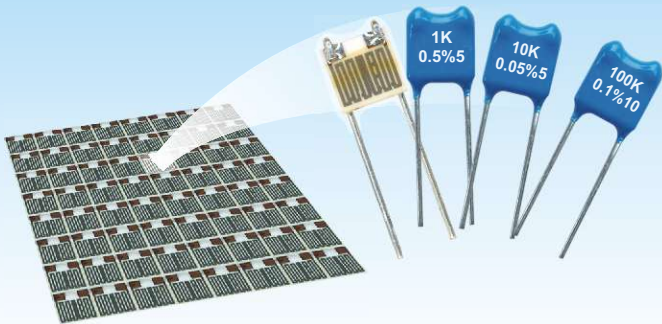


RADIAL PRECISION RESISTORS (EPOXY COATED)

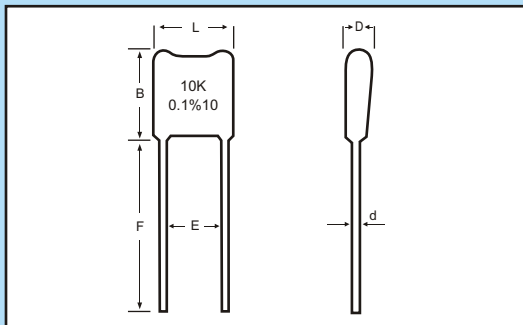


INTRON precision thin film resistors are made by vacuum depositing a controlled film of NiCr on high purity alumina substrate. The resistors are formed using high resolution photolithography. The values are micro trimmed to the exact value with a tolerance of 0.05%. The TCR and tolerance is obtained by process capability and does not rely on a selection process. Resistor sets matched to precise tolerance and TCR can be given.

SPECIFICATIONS:

PHOTO	TYPE	POWER RATING @ 70°C	LEAD PITCH INCH	MAXIMUM WORKING VOLTAGE	RESISTOR RANGE	DIMENSIONS IN MM (max.)					
						L	B	D	E	F	d
	LSCA	1/6W	0.1	300V	10Ω to 330K	5.2	7.5	2.3	2.54	10.0	0.5

DIMENSIONS:



FEATURES:

- High Precision: $\pm 0.05\%$, $\pm 0.1\%$, $\pm 0.2\%$, $\pm 0.5\%$, $\pm 1\%$
- Low Temperature Co-efficient: ± 5 , ± 10 , ± 15 , ± 25 ppm/°C (tested between 25°, 75° & 125°C)
- Wide Resistance Range: 10 ohm to 1M ohm with any odd value possible.
- Radial lead design: Lead pitch of 0.1", 0.2", 0.4" Lead frame design available on request.
- Wattage: 1/6W, 1/4W, 1/2W @ 70°C.

APPLICATIONS:

Precision weighing scales, Temperature and Chart recorders, Calibration equipment, Testing and measuring equipment, High Precision amplifiers, Current Sensing, High end Audio equipment, etc.

MARKING:

The resistors are marked with value, tolerance and tcr for easy identification. Any customer code can be printed on the resistor depending on the space.

PERFORMANCE:

Parameters	Specifications	Test Conditions
Operating Temperature Range		
Insulation Resistance		300 Volts, 1 minute
Temperature Cycling		-55°C 30min, +125°C 30min, 5 cycles
Damp Heat		40°C, 90-95%RH, DC 0.1W, 1,000hours
Short Time Overload		2.5 times the Rated Voltage for 5 seconds
Load Life		Rated Power at 70°C, 90min ON, 30min OFF, 1000hours
Soldering Heat		350°C, 3seconds
Moisture Resistance		+65°C to -10°C, 90-100%RH, Rated Voltage, 10 cycles (240 hours)
Solderability		235°C, 2 seconds
Solvent		IPA test
Noise		
Shelf Life Stability		One year at 25°C

ORDERING INFORMATION:

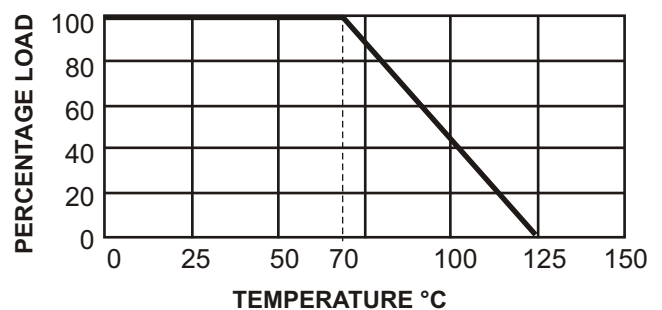
1/4 W	SAA	10K	0.1 %	10 ppm/°C
┆	┆	┆	┆	┆
Wattage	Type	Value	Tolerance	TCR

STANDARD TESTING PROCEDURE :

For 100% of the resistors:

1. Short time Overload in which 2.5 times the rated voltage (6.25 x rated power) is applied for 5 seconds.
2. Rated Wattage in which the rated voltage is dissipated in the resistor for 24 hours.
3. TCR measurement done at 25°C, 75°C and 125°C.
4. Resistance tolerance measured on 7 ½ DMM at 25°C.
5. Visual and Mechanical inspection.

POWER DERATING CURVE:



INTRON

Integrated Electronics Technology Pvt. Ltd.

A -218, Road No. 16/V, Wagle Industrial Area, Thane 400 604. India

Tel: +91 22 25821053 Fax: +91 22 25822162

email: intron@vsnl.com / intron@mtnl.net.in

www.intronresistors.com